

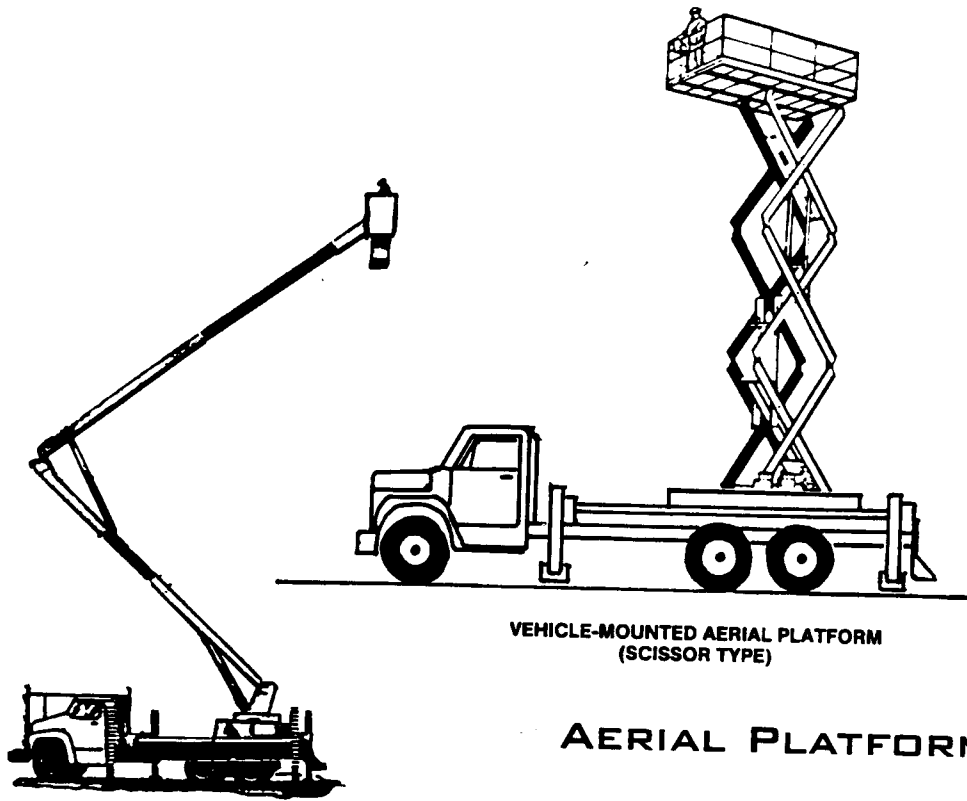
Various Scaffold Types

Subpart L Scaffolds Used in Construction

The following illustrations are to be used only for identifying the various scaffold types commonly used in the construction industry.

They are not intended as compliance guidelines and do not necessarily reflect the requirements of Subpart L.

OSHA Office of Training & Education
Des Plaines, IL
November, 1996

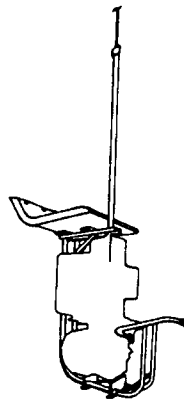


VEHICLE-MOUNTED AERIAL PLATFORM
(SCISSOR TYPE)

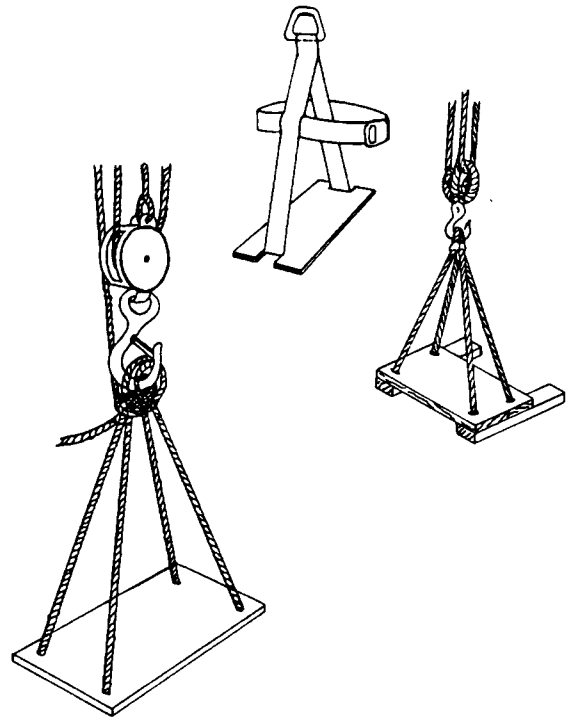
VEHICLE-MOUNTED AERIAL PLATFORM
WITH TELESCOPING AND ROTATING BOOM

AERIAL PLATFORMS

BOATSWAIN CHAIR

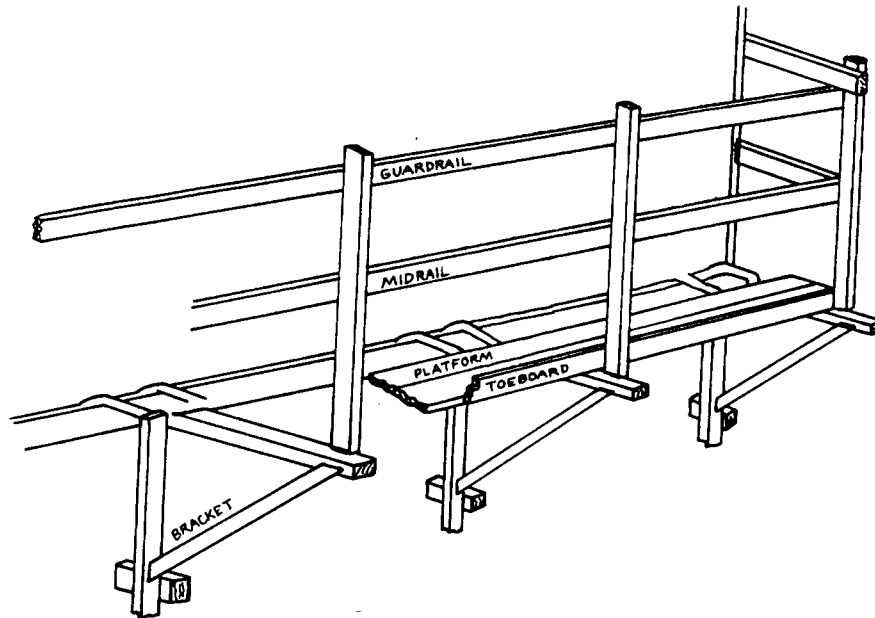


BOATSWAIN CHAIR
(POWERED)

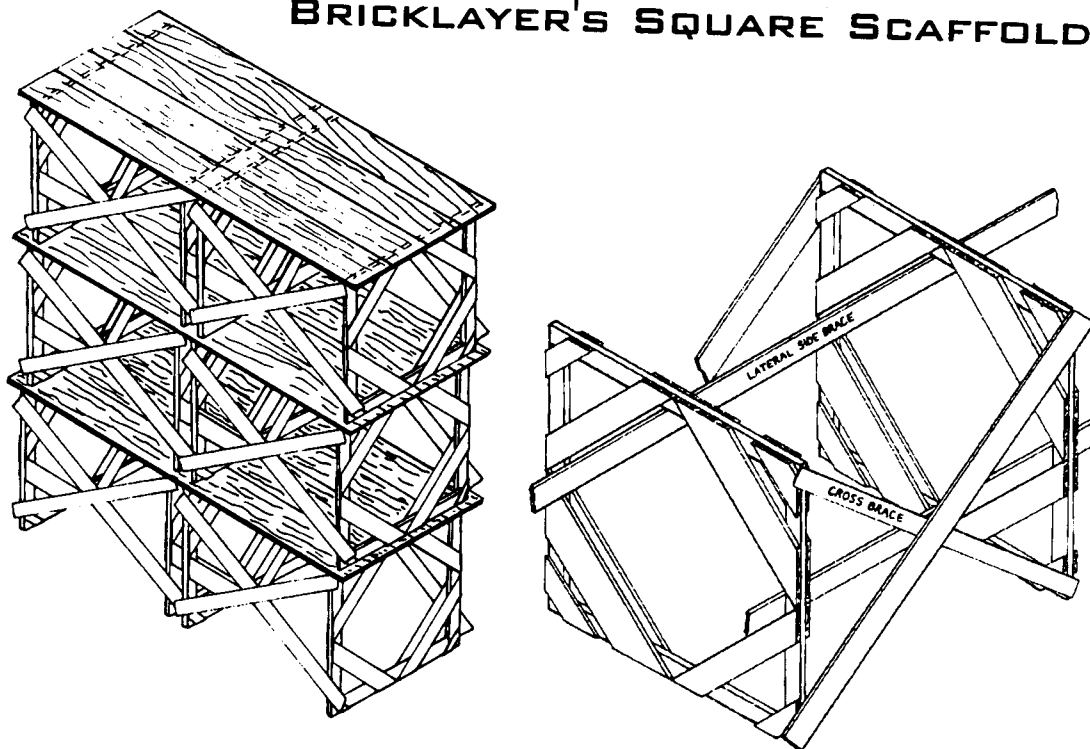


BOATSWAIN CHAIR
(MANUAL)

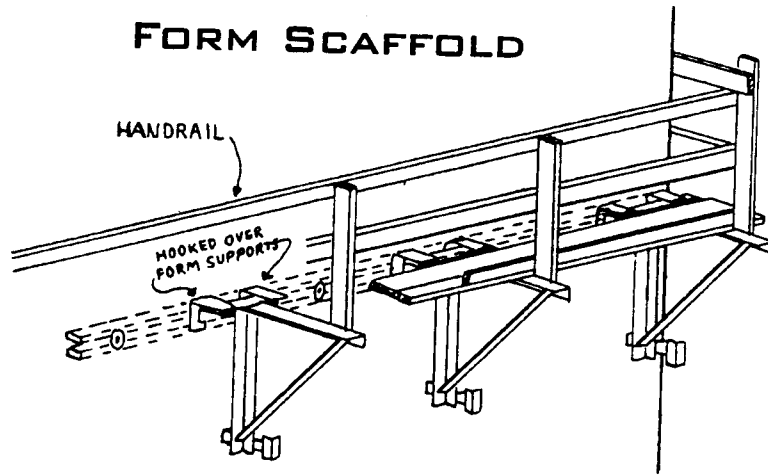
CARPENTER'S BRACKET SCAFFOLD



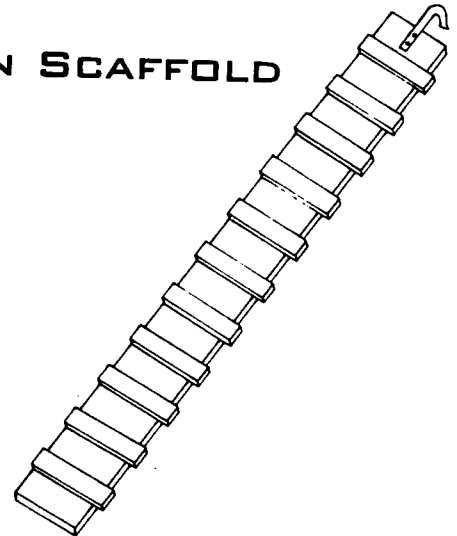
BRICKLAYER'S SQUARE SCAFFOLD



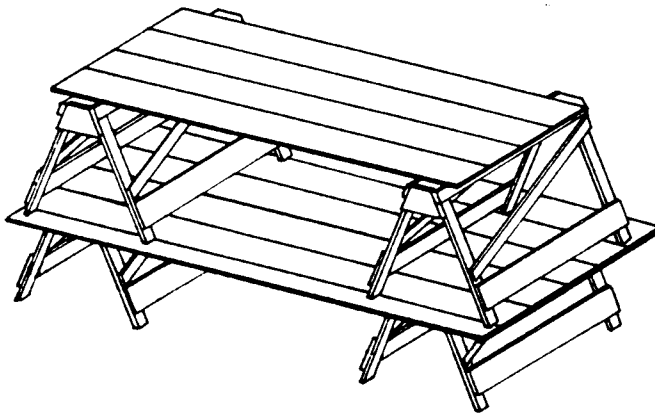
FORM SCAFFOLD



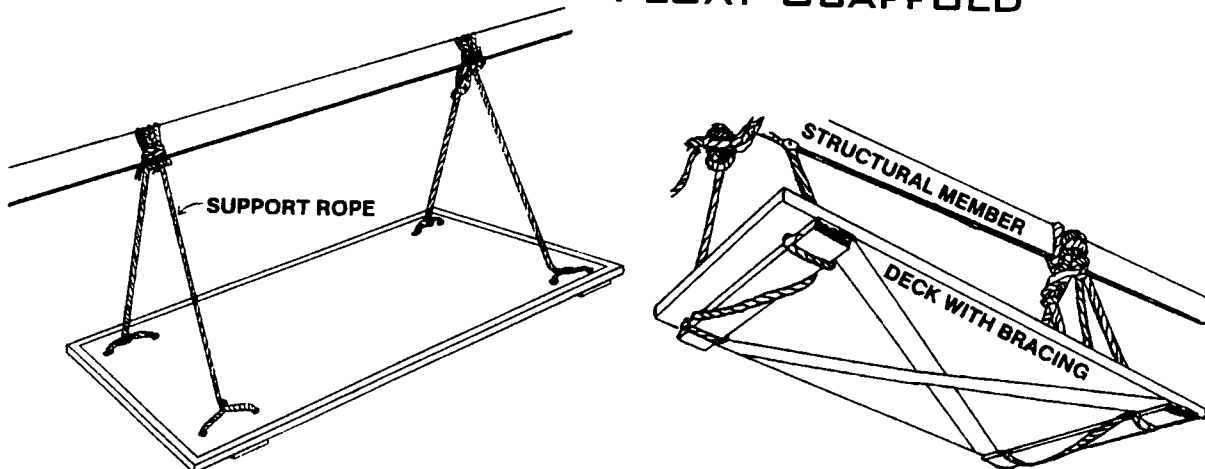
CHICKEN SCAFFOLD



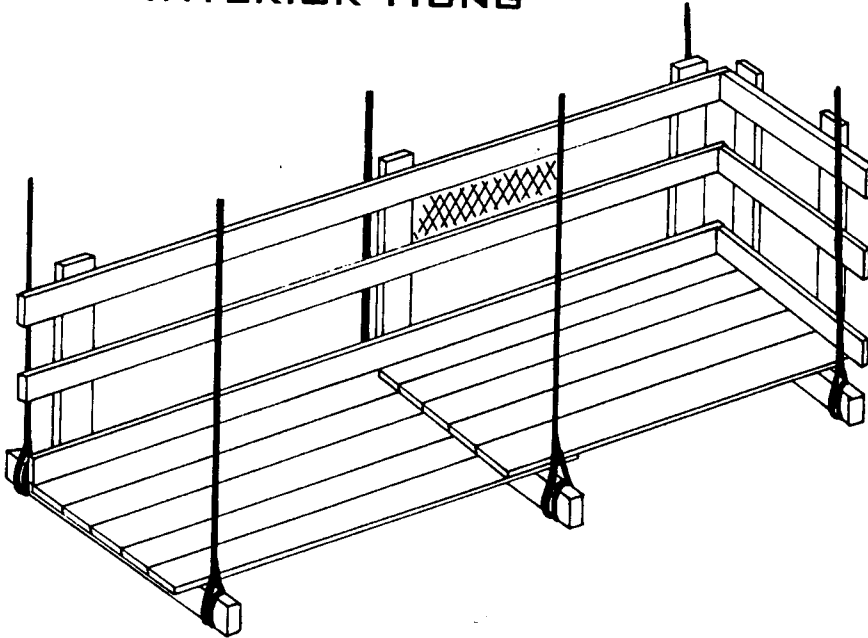
HORSE SCAFFOLD



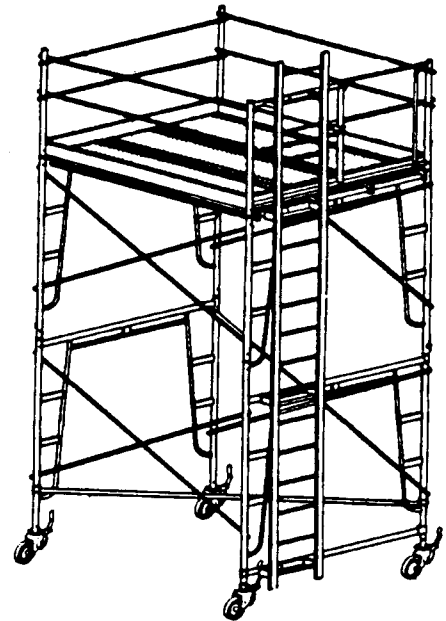
FLOAT SCAFFOLD



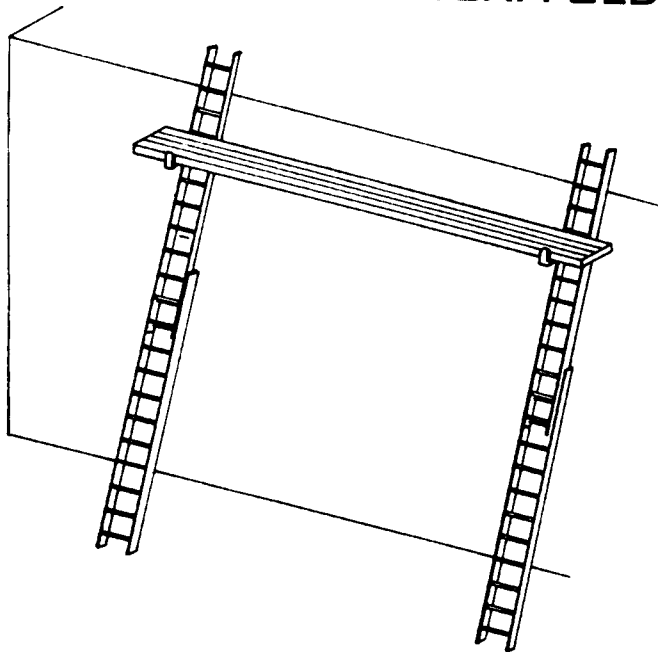
INTERIOR HUNG

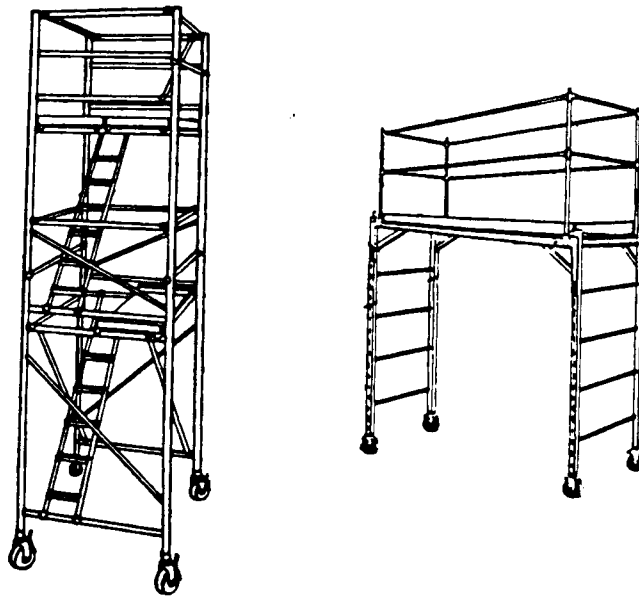


**MANUALLY PROPELLED
MOBILE SCAFFOLD**



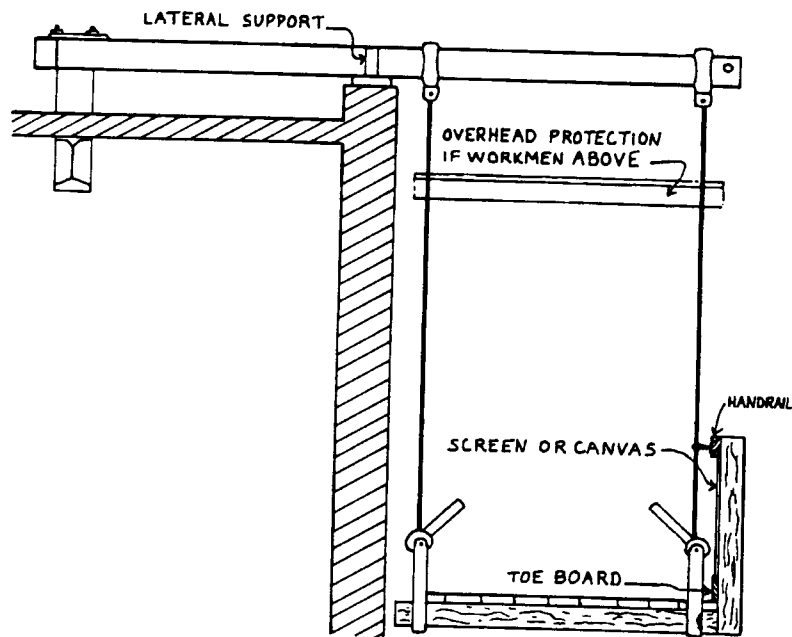
LADDER JACK SCAFFOLD



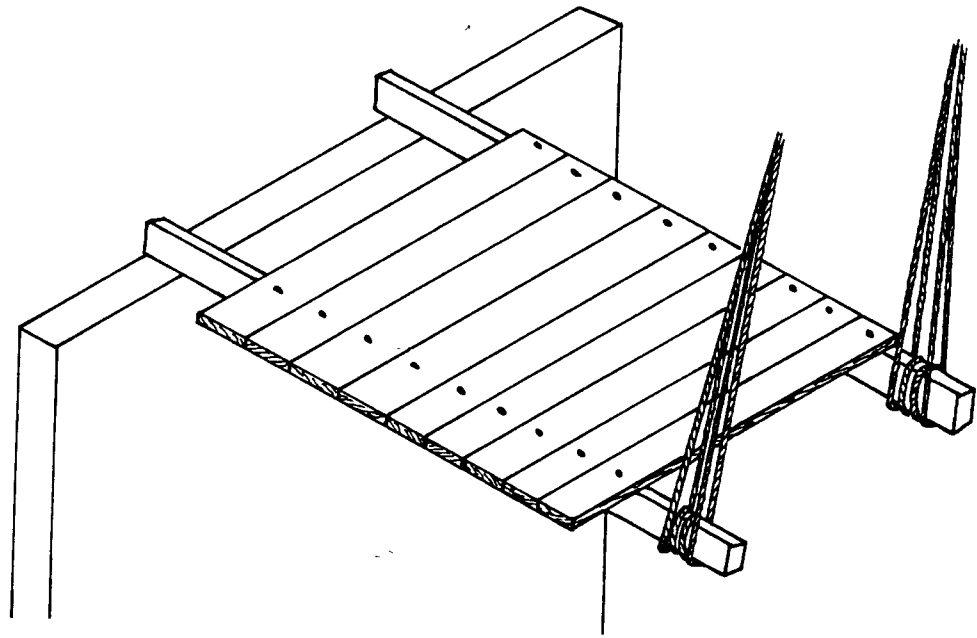


PREFABRICATED MOBILE TOWER UNIT

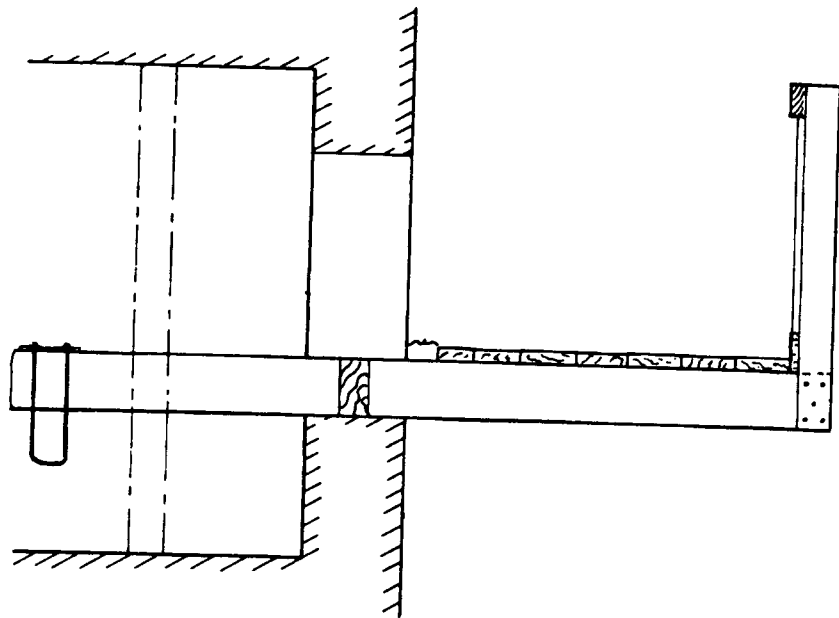
MASON'S MULTI POINT SUSPENDED SCAFFOLD



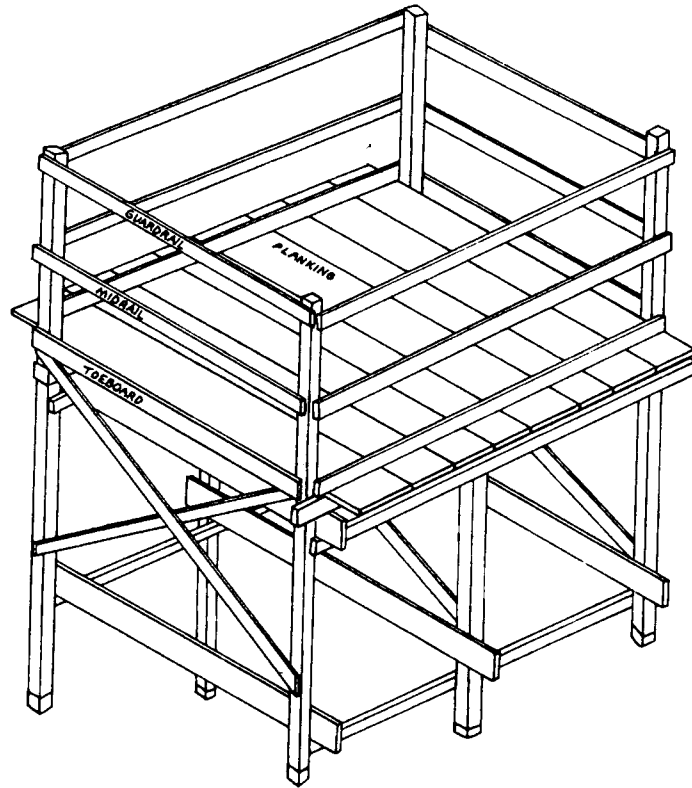
NEEDLE BEAM SCAFFOLD



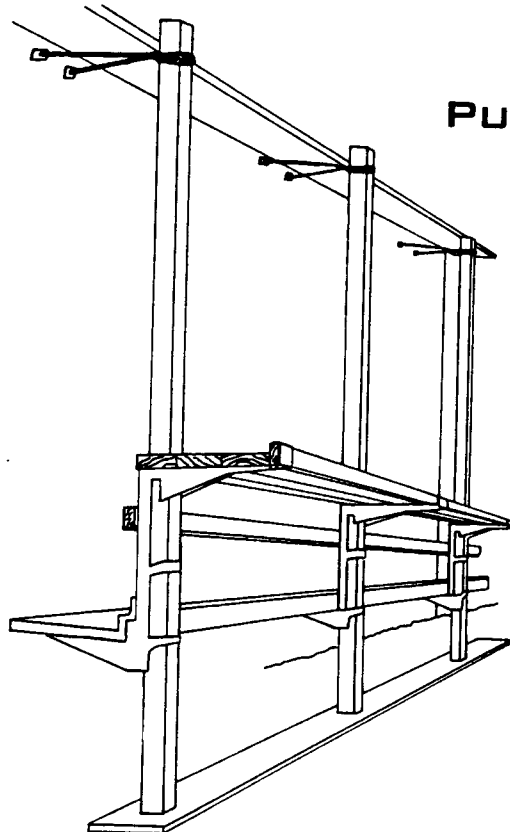
OUTRIGGER SCAFFOLD



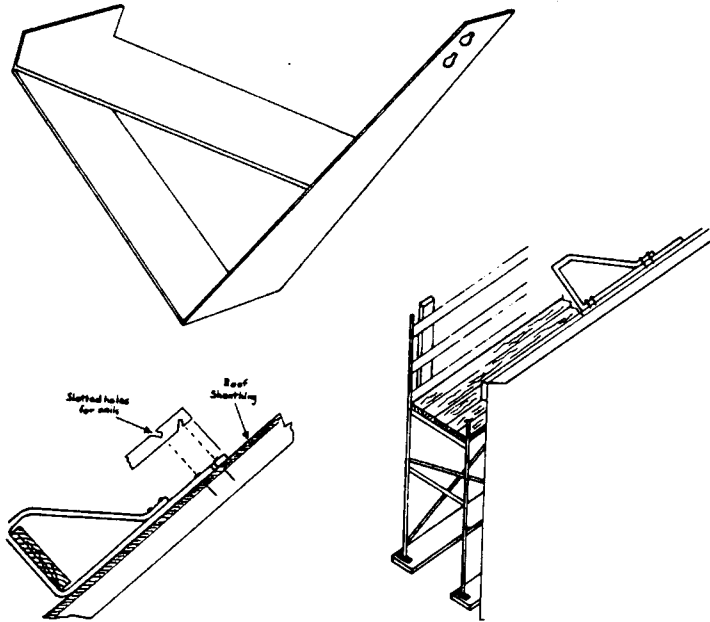
PLASTERERS DECORATORS SCAFFOLD



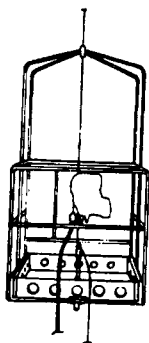
PUMP JACK SCAFFOLD



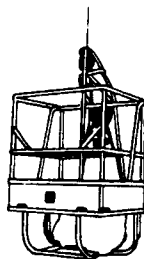
ROOFING BRACKETS



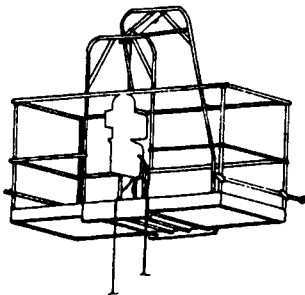
SINGLE POINT SUSPENSION SCAFFOLD



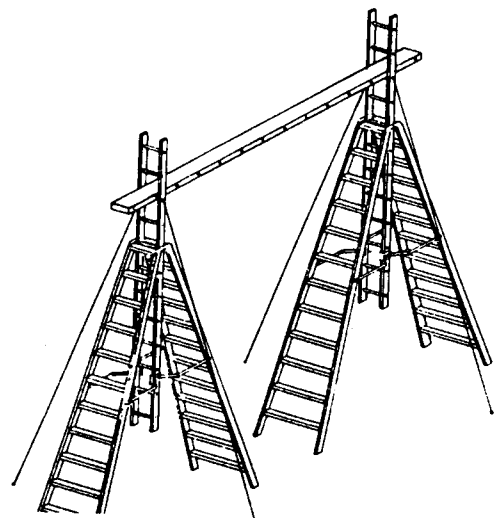
POWER
TRACTION HOIST
WORK CAGE



SINGLE POINT
SUSPENSION SCAFFOLD
WINDING DRUM HOIST

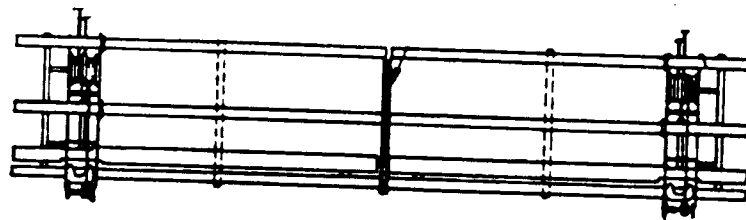
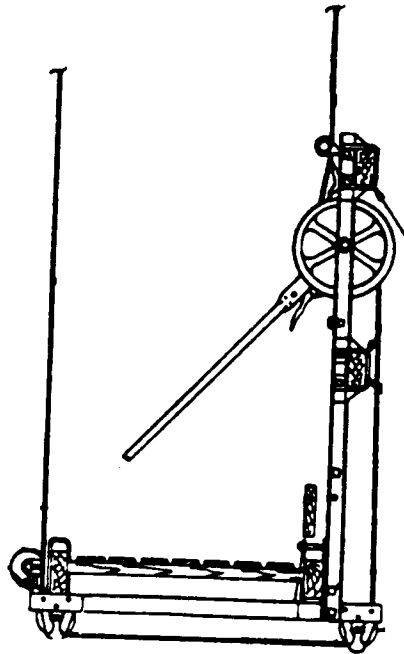


POWER TRACTION
HOIST WORK CAGE
WITH EXTENSIONS

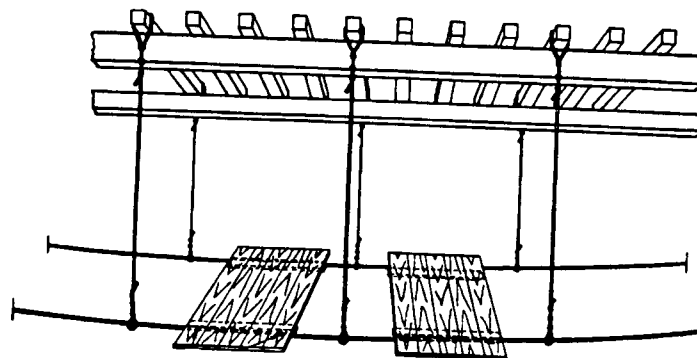


EXTENSION TRESTLE LADDER SCAFFOLD

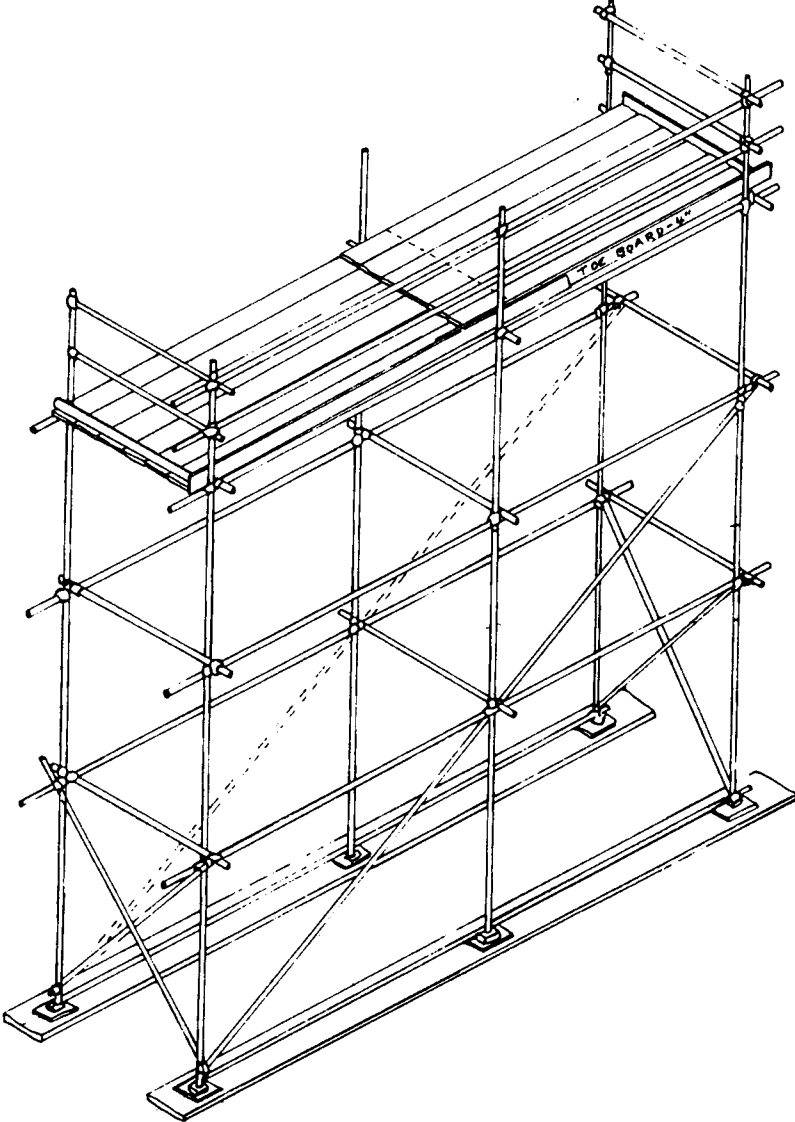
**STONE SETTERS ADJUSTABLE
MULTI POINT SUSPENSION SCAFFOLD**



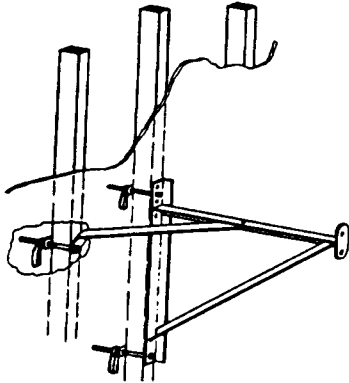
CATENARY SCAFFOLD



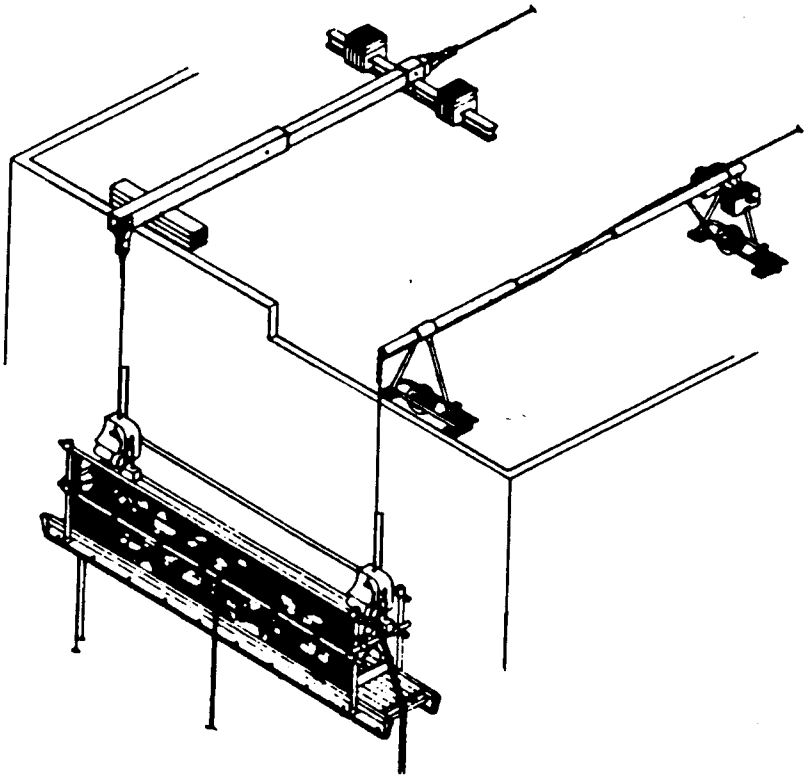
TUBE AND COUPLER SCAFFOLD



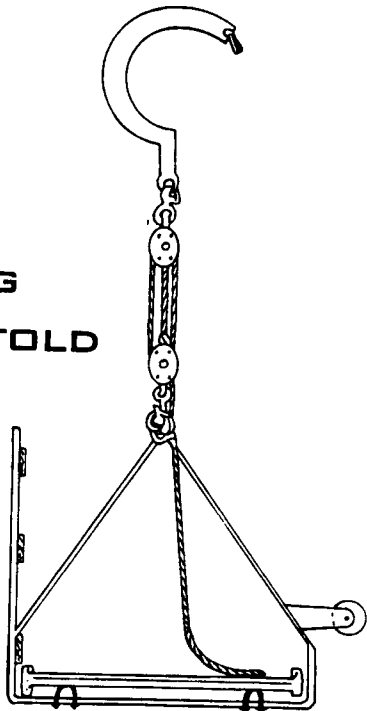
CARPENTER BRACKET

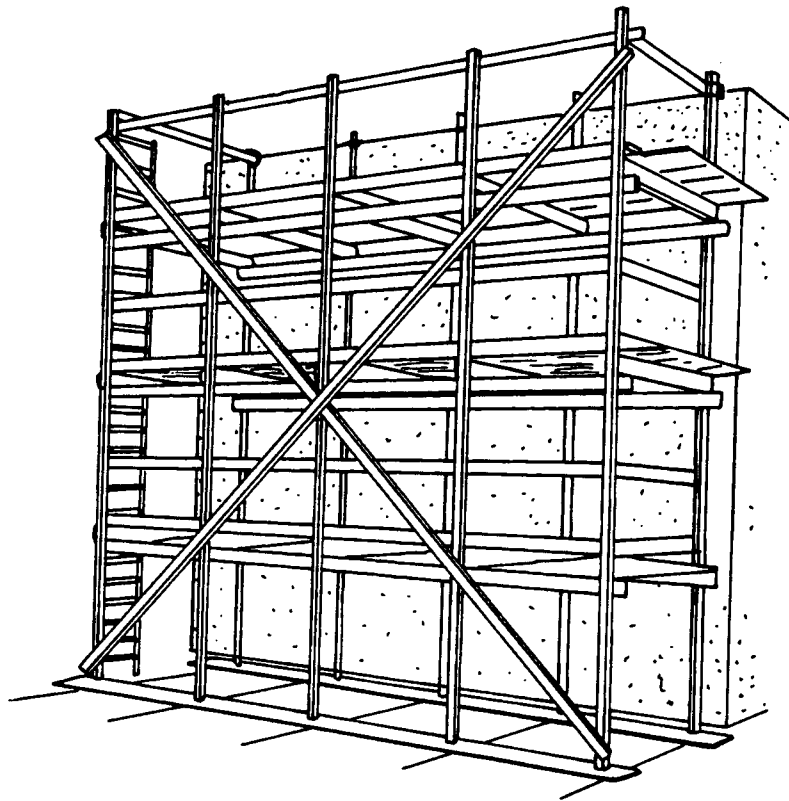
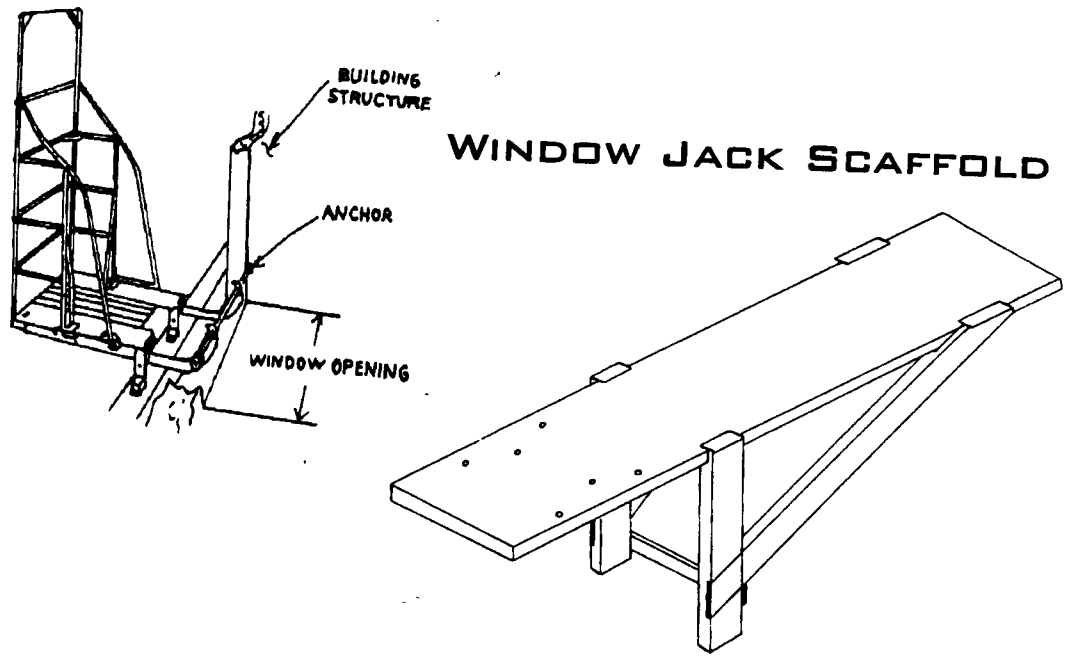


TWO POINT SUSPENDED SCAFFOLD



**SWINGING
SCAFFOLD**





WOOD POLE SCAFFOLD

FABRICATED FRAME SCAFFOLD

